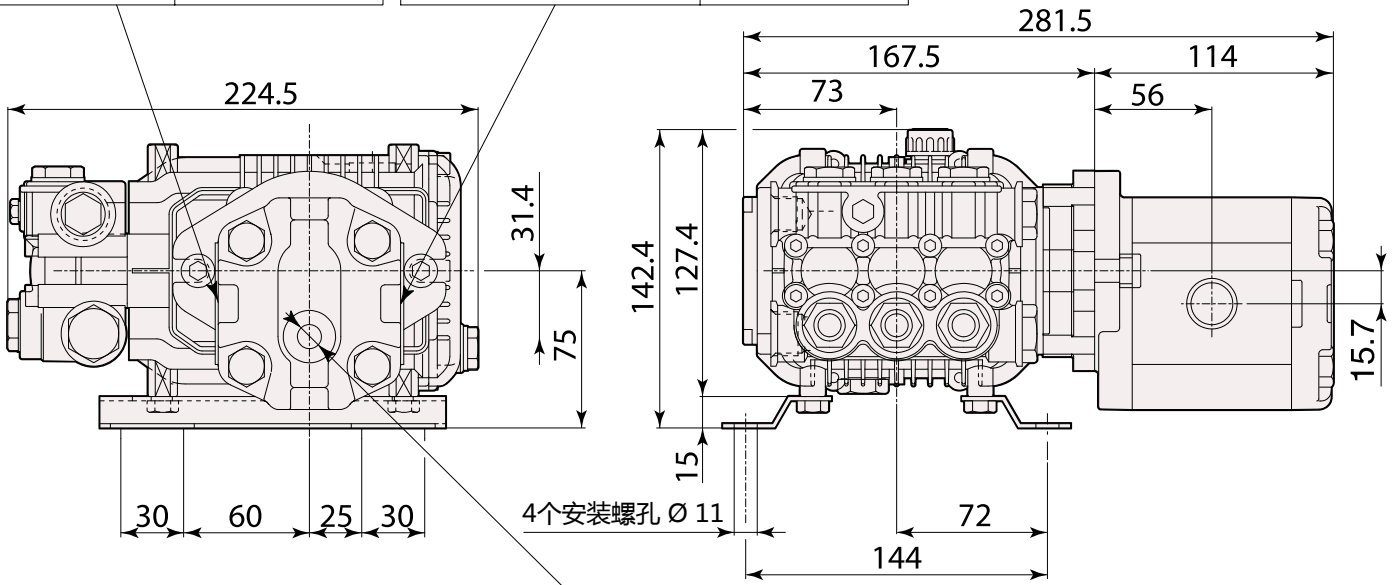


侧面进出油口 SIDE INLET / OUTLET PORT	G 3/4" (THD 16 mm 深)	侧面进出油口 SIDE INLET / OUTLET PORT	G 3/4" (THD 16 mm 深)
------------------------------------	-------------------------	------------------------------------	-------------------------



排油口 DRAIN PORT	G 1/4" (THD 13 mm 深)
-------------------	-------------------------